

New Jersey Semi-Conductor Products, Inc.

20 STERN AVE.
 SPRINGFIELD, NEW JERSEY 07081
 U.S.A.

TELEPHONE: (201) 376-2500
 (212) 227-6000
 FAX: (201) 376-8500

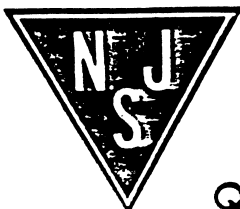
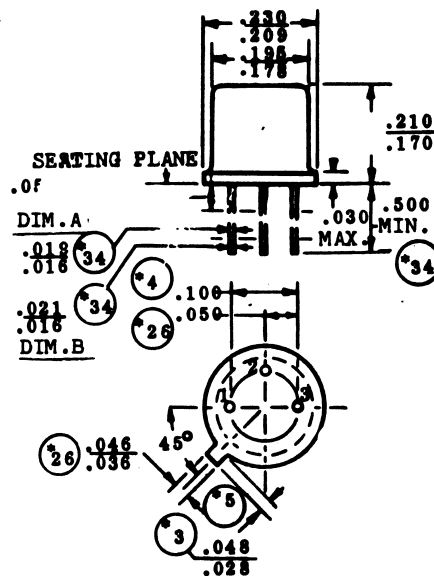
PARAMETERS

2N2635
 GE PNP LO-PWR BJT

Description: Ge PNP Lo-Pwr BJT

Manufacturer.....	
Mil/High-Rel? (Y/N).....	
Vbr CBO.....	30
hfe.....	
@Ic (A).....	
@VCE (test) (V).....	
Ic Max. (A).....	100m
Trans. Freq (Hz) Min.....	150M
C(ob) (F).....	5.0p
Icbo Max. @Vcb Max. (A).....	5.0uX
Vbr CEO.....	15
Max. PD (W).....	150m
Derate (Amb) (W/xC).....	2.0m
Oper. Temp (xC) Max.....	100
Pkg Style.....	T0-18
Surface Mounted (Y/N).....	N
Pinout Equivalence Number.....	3-12

Storage Temperature 2 It(rms) X @ Below Vcb(max)



Quality Semi-Conductors